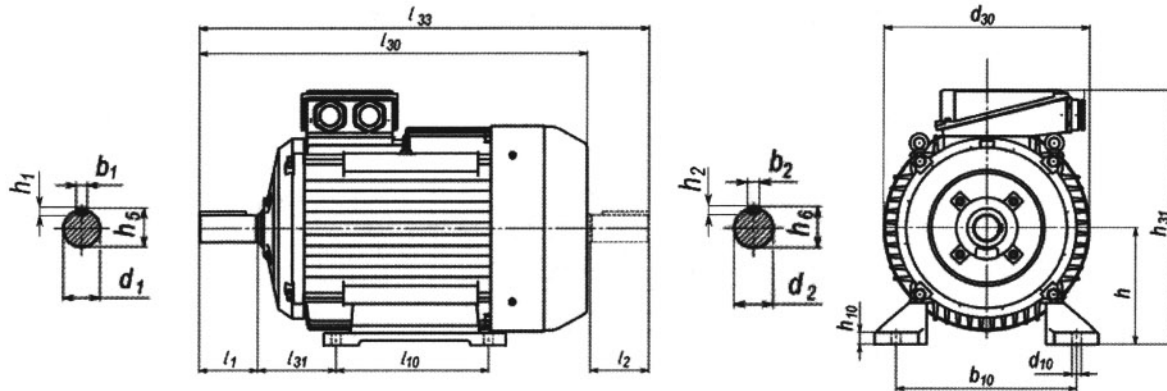


# ЭЛЕКТРОДВИГАТЕЛИ ВЗРЫВОЗАЩИЩЕННЫЕ

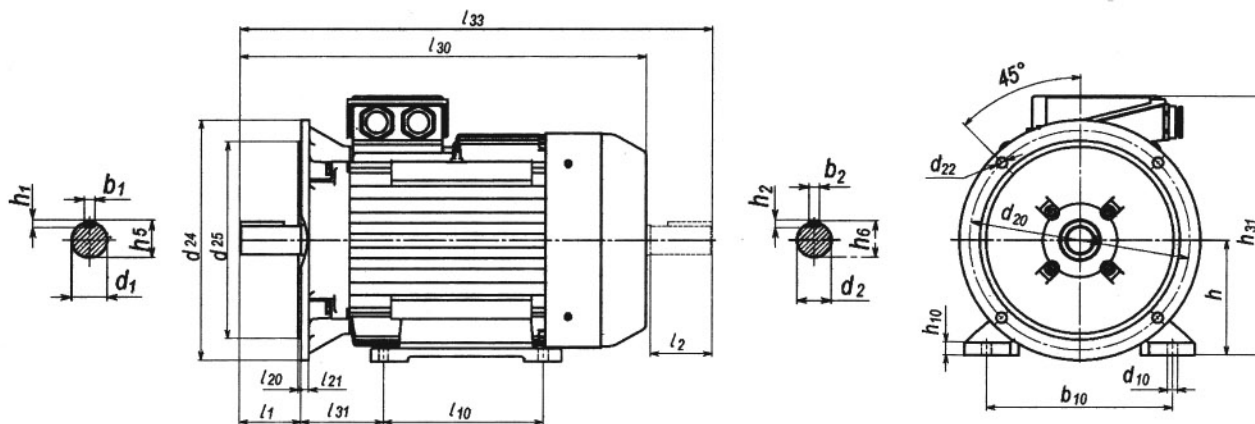
Монтажное исполнение IM 10...1, 10...2



Габаритные, установочные и присоединительные размеры взрывозащищенных двигателей

| Тип        | Число полюсов | <i>l30</i> | <i>l33</i> | <i>h31</i> | <i>d30</i> | <i>l1</i> | <i>l2</i> | <i>l10</i> | <i>l31</i> | <i>b1</i> | <i>b2</i> | <i>b10</i> | <i>h</i> |
|------------|---------------|------------|------------|------------|------------|-----------|-----------|------------|------------|-----------|-----------|------------|----------|
|            |               | L          | LC         | HD         | AC         | E         | EA        | B          | C          | F         | FA        | A          | H        |
| АИМ 63     | 2, 4          | 275        | -          | 215        | -          | 30        | -         | 80         | 40         | 5         | -         | 100        | 63       |
| АИМ 71     | 2, 4, 6       | 305        | -          | 229        | -          | 40        | -         | 90         | 45         | 6         | -         | 112        | 71       |
| АИМ 80     | 2, 4, 6       | 330        | -          | 245        | -          | 50        | -         | 100        | 50         | 6         | -         | 125        | 80       |
| ВА 80      | 2, 4, 6       | 355        | 410        | 300        | 190        | 50        | 50        | 100        | 50         | 6         | 6         | 125        | 80       |
| АИМ 90     | 2, 4, 6       | 390        | -          | 320        | -          | 50        | -         | 125        | 56         | 8         | -         | 140        | 90       |
| АИМ 100    | 2, 4, 6       | 450        | -          | 375        | -          | 60        | -         | 140        | 63         | 8         | -         | 160        | 100      |
| АИМ 112    | 2, 4, 6       | 500        | -          | 415        | -          | 80        | -         | 140        | 70         | 10        | -         | 190        | 112      |
| ВА 112     | 2, 4, 6, 8    | 495        | 560        | 360        | 255        | 80        | 60        | 140        | 70         | 10        | 8         | 190        | 112      |
| ВА 132 S   | 4, 6, 8       | 460        | 548        | 395        | 290        | 80        | 80        | 140        | 89         | 10        | 10        | 216        | 132      |
| ВА 132 M   | 2, 4, 6, 8    | 498        | 586        | 395        | 290        | 80        | 80        | 178        | 89         | 10        | 10        | 216        | 132      |
| ВА 160 S   | 2             | 710        | 832        | 490        | 340        | 110       | 110       | 178        | 108        | 12        | 12        | 254        | 160      |
|            | 4, 6, 8       | 710        | 832        | 490        | 340        | 110       | 110       | 178        | 108        | 14        | 12        | 254        | 160      |
| ВА 160 M   | 2             | 740        | 862        | 490        | 340        | 110       | 110       | 210        | 108        | 12        | 12        | 254        | 160      |
|            | 4, 6, 8       | 740        | 862        | 490        | 340        | 110       | 110       | 210        | 108        | 14        | 12        | 254        | 160      |
| ВА 180 S   | 2             | 690        | 805        | 525        | 380        | 110       | 110       | 203        | 121        | 14        | 14        | 279        | 180      |
|            | 4             | 690        | 805        | 525        | 380        | 110       | 110       | 203        | 121        | 16        | 14        | 279        | 180      |
| ВА 180 M   | 2             | 730        | 845        | 525        | 380        | 110       | 110       | 241        | 121        | 14        | 14        | 279        | 180      |
|            | 4, 6, 8       | 730        | 845        | 525        | 380        | 110       | 110       | 241        | 121        | 16        | 14        | 279        | 180      |
| ВА 200 M   | 2             | 765        | 880        | 560        | 410        | 110       | 110       | 267        | 133        | 16        | 16        | 318        | 200      |
|            | 4, 6, 8       | 795        | 910        | 560        | 410        | 140       | 110       | 267        | 133        | 18        | 16        | 318        | 200      |
| ВА 200 L   | 2             | 805        | 920        | 560        | 410        | 110       | 110       | 305        | 133        | 16        | 16        | 318        | 200      |
|            | 4, 6, 8       | 835        | 950        | 560        | 410        | 140       | 110       | 305        | 133        | 18        | 16        | 318        | 200      |
| ВА 225 M   | 2             | 840        | 955        | 610        | 445        | 110       | 110       | 311        | 149        | 16        | 16        | 356        | 225      |
|            | 4, 6, 8       | 870        | 1015       | 610        | 445        | 140       | 140       | 311        | 149        | 18        | 18        | 356        | 225      |
| ВА 250 S   | 2             | 990        | 1135       | 710        | 552        | 140       | 140       | 311        | 168        | 18        | 18        | 406        | 250      |
|            | 4, 6, 8       | 990        | 1135       | 710        | 552        | 140       | 140       | 311        | 168        | 20        | 20        | 406        | 250      |
| ВА 250 M   | 2             | 990        | 1135       | 710        | 552        | 140       | 140       | 349        | 168        | 18        | 18        | 406        | 250      |
|            | 4, 6, 8       | 990        | 1135       | 710        | 552        | 140       | 140       | 349        | 168        | 20        | 20        | 406        | 250      |
| АВ 250 S   | 2             | 1000       | -          | 502,5      | 505        | 140       | -         | 311        | 168        | 18        | -         | 406        | 250      |
|            | 4, 6, 8       | 1040       | -          | 502,5      | 505        | 140       | -         | 311        | 168        | 20        | -         | 406        | 250      |
| АВ 250 M   | 2             | 1000       | -          | 502,5      | 505        | 140       | -         | 349        | 168        | 18        | -         | 406        | 250      |
|            | 4, 6, 8       | 1040       | -          | 502,5      | 505        | 140       | -         | 349        | 168        | 20        | -         | 406        | 250      |
| АВ 280 S   | 2             | 1040       | -          | 790        | 585        | 140       | -         | 368        | 190        | 20        | -         | 457        | 280      |
|            | 4, 6, 8       | 1070       | -          | 790        | 585        | 170       | -         | 368        | 190        | 22        | -         | 457        | 280      |
| АВ 280 M   | 2             | 1100       | -          | 790        | 585        | 140       | -         | 419        | 190        | 20        | -         | 457        | 280      |
|            | 4, 6, 8       | 1130       | -          | 790        | 585        | 170       | -         | 419        | 190        | 22        | -         | 457        | 280      |
| АВ 280 L   | 2             | 1280       | -          | 790        | 585        | 140       | -         | 457        | 190        | 20        | -         | 457        | 280      |
|            | 4, 6, 8       | 1310       | -          | 790        | 585        | 170       | -         | 457        | 190        | 25        | -         | 457        | 280      |
| ВАО2 280 S | 2             | 1230       | -          | 640        | 700        | 140       | -         | 368        | 190        | 20        | -         | 457        | 280      |
|            | 4             | 1230       | -          | 640        | 700        | 170       | -         | 368        | 190        | 22        | -         | 457        | 280      |
| ВАО2 280 M | 2             | 1230       | -          | 640        | 700        | 140       | -         | 419        | 190        | 20        | -         | 457        | 280      |
|            | 4, 6, 8       | 1230       | -          | 640        | 700        | 170       | -         | 419        | 190        | 22        | -         | 457        | 280      |
| ВАО2 280 L | 2             | 1230       | -          | 640        | 700        | 140       | -         | 457        | 190        | 20        | -         | 457        | 280      |
|            | 4, 6, 8       | 1230       | -          | 640        | 700        | 170       | -         | 457        | 190        | 22        | -         | 457        | 280      |
| ВАО2 315 M | 2             | 1275       | -          | 715        | 780        | 140       | -         | 457        | 216        | 20        | -         | 508        | 315      |
|            | 4, 6, 8       | 1305       | -          | 715        | 780        | 170       | -         | 457        | 216        | 25        | -         | 508        | 315      |
| ВАО2 315 L | 2             | 1345       | -          | 715        | 780        | 140       | -         | 508        | 216        | 20        | -         | 508        | 315      |
|            | 4, 6, 8       | 1375       | -          | 715        | 780        | 170       | -         | 508        | 216        | 25        | -         | 508        | 315      |

## Монтажное исполнение IM 20...1, 20...2



Габаритные, установочные и присоединительные размеры взрывозащищенных двигателей (продолжение)

| Тип        | Число полюсов | $h_5$ | $h_6$ | $h_{10}$ | $d_1$ | $d_2$ | $d_{10}$ | $h_1$ | $h_2$ | $d_{20}$ | $d_{22}$ | $d_{24}$ | $d_{25}$ | $l_{20}$ | $l_{21}$ |
|------------|---------------|-------|-------|----------|-------|-------|----------|-------|-------|----------|----------|----------|----------|----------|----------|
|            |               | GA    | GC    | HA       | D     | DA    | K        | GD    | GF    | M        | S        | P        | N        | T        | LA       |
| АИМ 63     | 2, 4          | 16    | -     | 5        | 14    | -     | 7        | 5     | -     | 130      | 10       | 160      | 110      | 3,5      | 8        |
| АИМ 71     | 2, 4, 6       | 21,5  | -     | 6        | 19    | -     | 7        | 6     | -     | 165      | 12       | 200      | 130      | 3,5      | 12       |
| АИМ 80     | 2, 4, 6       | 24,5  | -     | 6        | 22    | -     | 10       | 6     | -     | 165      | 12       | 200      | 130      | 3,5      | 14       |
| ВА 80      | 2, 4, 6       | 24,5  | 24,5  | 10       | 22    | 22    | 10       | 6     | 6     | 165      | M10      | 200      | 130      | 3,5      | 14       |
| АИМ 90     | 2, 4, 6       | 27    | -     | 7        | 24    | -     | 11       | 7     | -     | 215      | 15       | 250      | 180      | 4        | 12       |
| АИМ 100    | 2, 4, 6       | 31    | -     | 7        | 28    | -     | 12       | 7     | -     | 215      | 15       | 250      | 180      | 4        | 14       |
| АИМ 112    | 2, 4, 6       | 35    | -     | 8        | 32    | -     | 12       | 8     | -     | 265      | 15       | 300      | 230      | 4        | 16       |
| ВА 112     | 2, 4, 6, 8    | 35    | 31    | 14       | 32    | 28    | 12       | 8     | 7     | 265      | 15       | 300      | 230      | 4        | 14       |
| ВА 132 S   | 4, 6, 8       | 41    | 41    | 14       | 38    | 38    | 12       | 8     | 8     | 300      | 19       | 350      | 250      | 5        | 14       |
| ВА 132 M   | 2, 4, 6, 8    | 41    | 41    | 14       | 38    | 38    | 12       | 8     | 8     | 300      | 19       | 350      | 250      | 5        | 14       |
| ВА 160 S   | 2             | 45    | 45    | 20       | 42    | 42    | 15       | 8     | 8     | 300      | 19       | 350      | 250      | 5        | 17       |
|            | 4, 6, 8       | 51,5  | 45    | 20       | 48    | 42    | 15       | 9     | 8     | 300      | 19       | 350      | 250      | 5        | 17       |
| ВА 160 M   | 2             | 45    | 45    | 20       | 42    | 42    | 15       | 8     | 8     | 300      | 19       | 350      | 250      | 5        | 17       |
|            | 4, 6, 8       | 51,5  | 45    | 20       | 48    | 42    | 15       | 9     | 8     | 300      | 19       | 350      | 250      | 5        | 17       |
| ВА 180 S   | 2             | 52    | 52    | 22       | 48    | 48    | 15       | 9     | 9     | 350      | 19       | 400      | 300      | 5        | 17       |
|            | 4             | 59    | 52    | 22       | 55    | 48    | 15       | 10    | 9     | 350      | 19       | 400      | 300      | 5        | 17       |
| ВА 180 M   | 2             | 52    | 52    | 22       | 48    | 48    | 15       | 9     | 9     | 350      | 19       | 400      | 300      | 5        | 17       |
|            | 4, 6, 8       | 59    | 52    | 22       | 55    | 48    | 15       | 10    | 9     | 350      | 19       | 400      | 300      | 5        | 17       |
| ВА 200 M   | 2             | 59    | 59    | 28       | 55    | 55    | 19       | 10    | 10    | 400      | 19       | 450      | 350      | 5        | 16       |
|            | 4, 6, 8       | 64    | 59    | 28       | 60    | 55    | 19       | 11    | 10    | 400      | 19       | 450      | 350      | 5        | 16       |
| ВА 200 L   | 2             | 59    | 59    | 28       | 55    | 55    | 19       | 10    | 10    | 400      | 19       | 450      | 350      | 5        | 16       |
|            | 4, 6, 8       | 64    | 59    | 28       | 60    | 55    | 19       | 11    | 10    | 400      | 19       | 450      | 350      | 5        | 16       |
| ВА 225 M   | 2             | 59    | 59    | 30       | 55    | 55    | 19       | 10    | 10    | 500      | 19       | 550      | 450      | 5        | 20       |
|            | 4, 6, 8       | 69    | 64    | 30       | 65    | 60    | 19       | 11    | 11    | 500      | 19       | 550      | 450      | 5        | 20       |
| ВА 250 S   | 2             | 69    | 69    | 30       | 65    | 65    | 24       | 11    | 11    | 500      | 19       | 550      | 450      | 5        | 21       |
|            | 4, 6, 8       | 79,5  | 74,5  | 30       | 75    | 70    | 24       | 12    | 12    | 500      | 19       | 550      | 450      | 5        | 21       |
| ВА 250 M   | 2             | 69    | 69    | 30       | 65    | 65    | 24       | 11    | 11    | 500      | 19       | 550      | 450      | 5        | 21       |
|            | 4, 6, 8       | 79,5  | 74,5  | 30       | 75    | 70    | 24       | 12    | 12    | 500      | 19       | 550      | 450      | 5        | 21       |
| АВ 250 S   | 2             | 69    | -     | -        | 65    | -     | 24       | 11    | -     | 600      | 24       | 660      | 550      | 6        | 60       |
|            | 4, 6, 8       | 79,5  | -     | -        | 75    | -     | 24       | 12    | -     | 600      | 24       | 660      | 550      | 6        | 60       |
| АВ 250 M   | 2             | 69    | -     | -        | 65    | -     | 24       | 11    | -     | 600      | 24       | 660      | 550      | 6        | 60       |
|            | 4, 6, 8       | 79,5  | -     | -        | 75    | -     | 24       | 12    | -     | 600      | 24       | 660      | 550      | 6        | 60       |
| АВ 280 S   | 2             | 74,5  | -     | -        | 70    | -     | 24       | 12    | -     | 600      | 24       | 660      | 550      | 6        | 25       |
|            | 4, 6, 8       | 85    | -     | -        | 80    | -     | 24       | 14    | -     | 600      | 24       | 660      | 550      | 6        | 25       |
| АВ 280 M   | 2             | 74,5  | -     | -        | 70    | -     | 24       | 12    | -     | 600      | 24       | 660      | 550      | 6        | 25       |
|            | 4, 6, 8       | 85    | -     | -        | 80    | -     | 24       | 14    | -     | 600      | 24       | 660      | 550      | 6        | 25       |
| АВ 280 L   | 2             | 80    | -     | -        | 75    | -     | 24       | 12    | -     | 600      | 24       | 660      | 550      | 6        | 25       |
|            | 4, 6, 8       | 95    | -     | -        | 90    | -     | 24       | 14    | -     | 600      | 24       | 660      | 550      | 6        | 25       |
| ВАО2 280 S | 2             | 79,5  | -     | -        | 75    | -     | 24       | 12    | -     | 600      | 24       | 660      | 550      | 6        | 45       |
|            | 4             | 85    | -     | -        | 80    | -     | 24       | 14    | -     | 600      | 24       | 660      | 550      | 6        | 45       |
| ВАО2 280 M | 2             | 79,5  | -     | -        | 75    | -     | 24       | 12    | -     | 600      | 24       | 660      | 550      | 6        | 45       |
|            | 4, 6, 8       | 85    | -     | -        | 80    | -     | 24       | 14    | -     | 600      | 24       | 660      | 550      | 6        | 45       |
| ВАО2 280 L | 2             | 79,5  | -     | -        | 75    | -     | 24       | 12    | -     | 600      | 24       | 660      | 550      | 6        | 45       |
|            | 4, 6, 8       | 85    | -     | -        | 80    | -     | 24       | 14    | -     | 600      | 24       | 660      | 550      | 6        | 45       |
| ВАО2 315 M | 2             | 79,5  | -     | -        | 75    | -     | 28       | 12    | -     | 740      | 24       | 800      | 680      | 6        | 55       |
|            | 4, 6, 8       | 95    | -     | -        | 90    | -     | 28       | 14    | -     | 740      | 24       | 800      | 680      | 6        | 55       |
| ВАО2 315 L | 2             | 79,5  | -     | -        | 75    | -     | 28       | 12    | -     | 740      | 24       | 800      | 680      | 6        | 55       |
|            | 4, 6, 8       | 95    | -     | -        | 90    | -     | 28       | 14    | -     | 740      | 24       | 800      | 680      | 6        | 55       |